



Innovative Technology

INTELLIGENCE IN VALIDATION

BV20

"A compact, lightweight bill acceptor"



- Compact bill acceptor
- Simple design
- Exceptional value
- Ideal for amusement, kiddie rides & jukebox applications



FEATURES

- Exceptional value
- Proven field reliability
- Quick transactions
- Easy maintenance, free firmware updates
- Simple, compact design



BENEFITS

- A bill acceptor for the same price as a coin mech
- Lowest cost of ownership
- Takes more cash
- Future proof - quick & easy updates via PC or handheld programmer
- Ideal for amusement, kiddie rides & jukebox applications



Innovative Technology

INTELLIGENCE IN VALIDATION

Technical Specification

Power

Requirements: 12V

Standby: 150mA

Running: 540mA

Peak: 1.5A

Bezel Options

66/72 mm width

Protocols

SSP

ccTalk

MDB

Pulse

Parallel

Binary

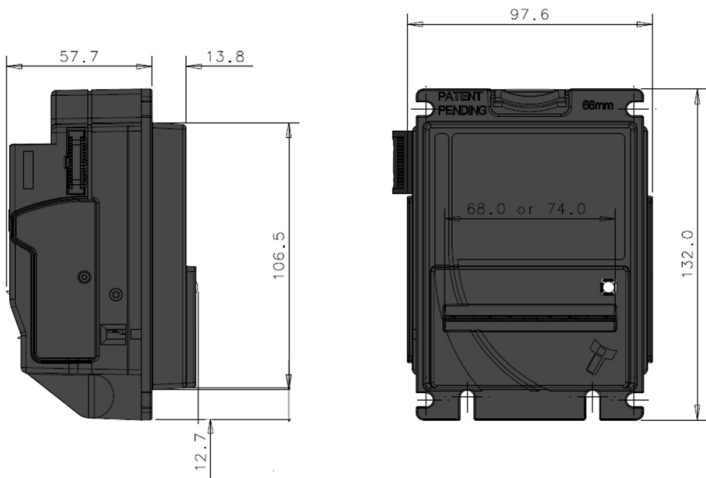
Serial

Interfaces

Open collector

MCBF

100,000



- Weight: 0.3kg

**VIEW MORE
NOTE HANDLING
PRODUCTS >>**



Find Us

Head Office

Innovative Technology Ltd (UK)

Innovative Business Park

Derker Street

Oldham

OL1 4EQ



Telephone

+44 (0) 161 626 9999



Email

sales@innovative-technology.com